



MACKINA-WESTFALIA, S.A.

Carretera M-300 Km.29,5 28802 Alcalá de Henares MADRID ESPAÑA
Tel. 00 34 91 889 44 12 Fax. 00 34 91 883 21 74
Email. mackwest@mackina-westfalia.com
Web. www.mackina-westfalia.com

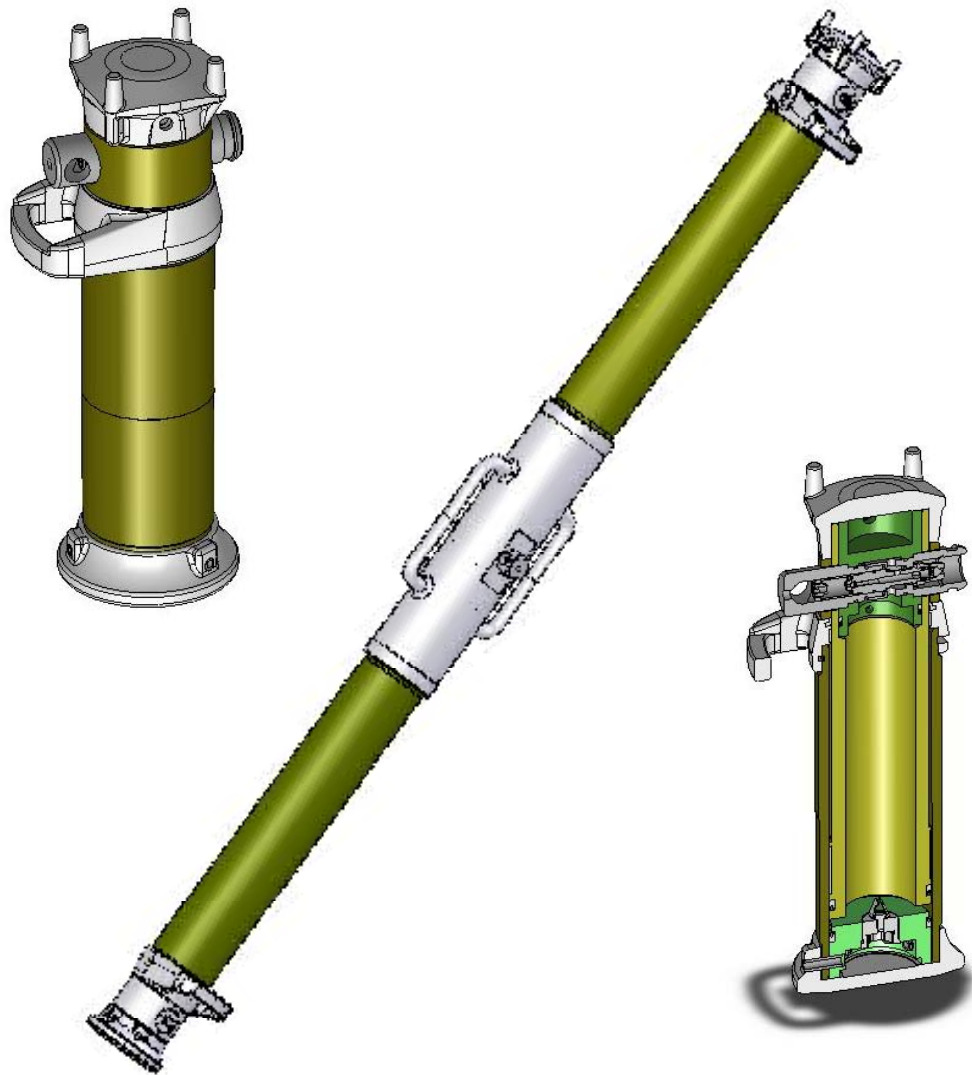


inbuines **B**



Product Description

Collective Pump type Mine Props MAC 08 ... 50





FEATURES:

| TYPE | EXTENDED HEIGHT mm | CONTRACTED HEIGHT mm | HYDRAU LIC STROKE mm | WEIGHT Kg | PISTON AREA Cm2 | MAX. POSITIONING PRESSURE bar | NOMINAL PRESSURE bar | NOMINAL LOAD kN |
|--------|-----------------------|-------------------------|----------------------------|--------------|-----------------------|--|----------------------------|-----------------------|
| MAC-08 | 800 | 570 | 230 | 29,2 | 95,9 | 290 | 378 | 363 |
| MAC-10 | 1000 | 670 | 330 | 32 | 95,9 | 290 | 378 | 363 |
| MAC-12 | 1200 | 770 | 430 | 35,8 | 95,9 | 290 | 378 | 363 |
| MAC-14 | 1400 | 870 | 530 | 38,6 | 95,9 | 290 | 378 | 363 |
| MAC-16 | 1600 | 970 | 630 | 41,5 | 95,9 | 290 | 378 | 363 |
| MAC-18 | 1800 | 1070 | 730 | 44,3 | 95,9 | 290 | 378 | 363 |
| MAC-20 | 2000 | 1170 | 830 | 47 | 95,9 | 290 | 378 | 363 |
| MAC-22 | 2200 | 1270 | 930 | 50 | 95,9 | 290 | 378 | 363 |
| MAC-25 | 2500 | 1485 | 1015 | 56,6 | 95,9 | 290 | 378 | 363 |
| MAC-28 | 2800 | 1635 | 1165 | 62 | 95,9 | 227 | 284 | 272 |
| MAC-30 | 3000 | 1735 | 1265 | 66,2 | 95,9 | 227 | 284 | 272 |
| MAC-32 | 3200 | 2160 | 1040 | 96 | 95,9 | 227 | 284 | 272 |
| MAC-36 | 3620 | 2360 | 1260 | 104 | 95,9 | 227 | 284 | 272 |
| MAC-40 | 4020 | 2560 | 1460 | 112 | 95,9 | 174 | 201 | 193 |
| MAC-44 | 4420 | 2790 | 1630 | 122 | 95,9 | 174 | 201 | 193 |
| MAC-50 | 5020 | 3490 | 1530 | 134 | 95,9 | 174 | 201 | 193 |



REFENRENCES:

| Designation | Reference | Drawing |
|---------------------|------------|---------|
| Prop MAC-08 | 55670-9008 | 0239-05 |
| Prop MAC-10 | 55670-9010 | 0240-05 |
| Prop MAC-12 | 55670-9012 | 0241-05 |
| Prop MAC-14 | 55670-9014 | 0242-05 |
| Prop MAC-16 | 55670-9016 | 0243-05 |
| Prop MAC-18 | 55670-9018 | 0244-05 |
| Prop MAC-20 | 55670-9020 | 0245-05 |
| Prop MAC-22 | 55670-9022 | 0246-05 |
| Prop MAC-25 | 55670-9025 | 0247-05 |
| Prop MAC-28 | 55670-9028 | 0248-05 |
| Prop MAC-30 | 55670-9030 | 0249-05 |
| Prop MAC-32 | 55670-9032 | 0250-05 |
| Prop MAC-36 | 55670-9036 | 0253-05 |
| Prop MAC-40 | 55670-9040 | 0254-05 |
| Prop MAC-44 | 55670-9044 | 0255-05 |
| Prop MAC-50 | 55670-9050 | 0256-05 |
| Valve MAC-VS 100 | 55670-9001 | 0014-05 |
| Valve replacing Set | 55670-0067 | 0114-05 |
| Valve replacing Set | 55670-0105 | 0223-06 |
| Hydraulic gun | 55670-9200 | 0043-06 |
| Discharge Key | 55670-0125 | |





DESCRIPTION

Collective Pump-type MAC Individual Mine Prop, designed as mining roof support equipment for use in potentially explosive atmospheres as Group I category M2 equipment and fulfill all of the relevant requirements of Explosive Atmospheres Directive 94/9/EC (ATEX)

The 16 different types have the same construction features with the following differentiating characteristics:

From the MAC-08 type to the MAC 30, the only difference lies in the external tube length, the internal tube and the retracting spring.



MAC-32 type to the MAC-50 type are made up of two active parts, symmetrically arranged on both sides of a central steel body that holds the safety valve.

They all include the same MAC-VS 100 safety valve which apart from being the hydraulic load and unload device of the mine prop, performs as the a security valve whose setting value defines the yielding pressure and at the same time determines the nominal load of the mine prop.