



MACKINA-WESTFALIA, S.A.

Carretera M-300 Km.29,5 28802 Alcalá de Henares MADRID ESPAÑA
Tel. 00 34 91 889 44 12 Fax. 00 34 91 883 21 74
Email. mackwest@mackina-westfalia.com
Web. www.mackina-westfalia.com

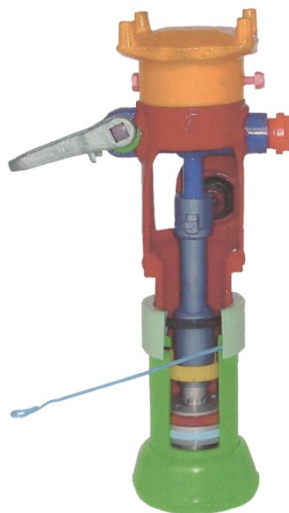


inbuines **B**



Product Description

Individual Pump-type Mine Prop MWM20t





INTRODUCTION:

Hydraulic Mine Props MWM 20t fitted with closed circuit hydraulic system are generally used as a roof support up to the front wall and also as a support in coal seams with small slopes between 0,60 to 2m thicks.

The hydraulic props are supplied with a nominal strength of 200 kN.

The use of MWM 20t mine Prop is effective along with mechanic articulated frames when the work has narrow seams as well as hydraulic support mine prop of constant resistance.



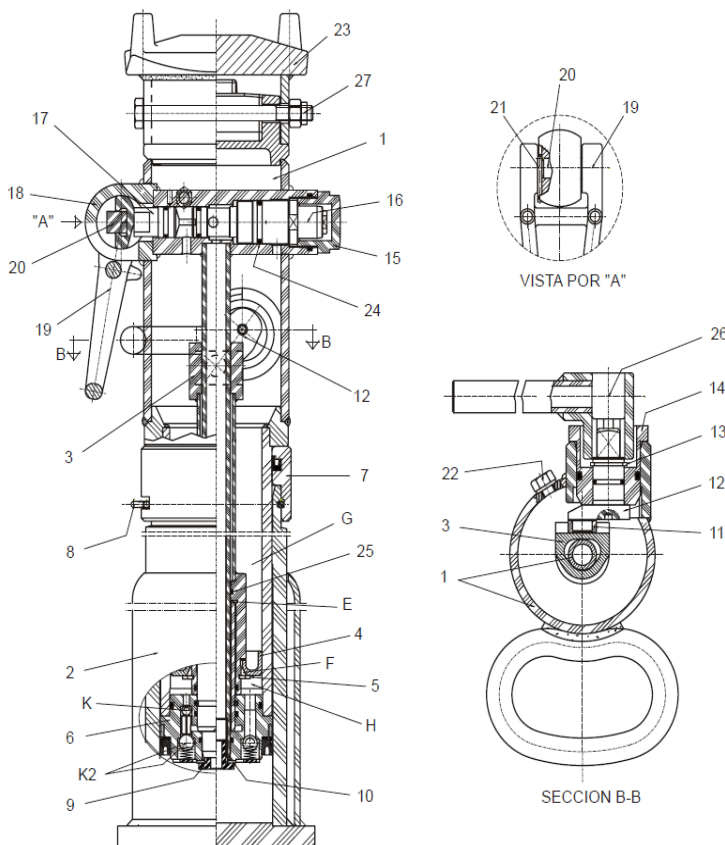
The main parameters of MWM20t mine props are described in the following chart:

| TYPE | CONTRACTED HEIGHT (mm) | EXTENDED HEIGHT (mm) | HYDRAULIC STROKE (mm) | WEIGHT (Kg) |
|--------|------------------------|----------------------|-----------------------|-------------|
| Nº 03 | 417 | 537 | 120 | 21,2 |
| Nº 04 | 535 | 685 | 150 | 27,7 |
| Nº 06 | 670 | 940 | 270 | 33,4 |
| Nº 08 | 830 | 1150 | 320 | 39,2 |
| Nº 10 | 1036 | 1436 | 400 | 45,9 |
| Nº 11 | 1145 | 1665 | 520 | 52 |
| Nº 12 | 1200 | 1770 | 560 | 55,4 |
| Nº 13 | 1325 | 1925 | 600 | 58,7 |
| Nº 13L | 1900 | 2500 | 600 | 72,5 |

FEATURES:

Main features of hydraulic mine props MWM20t are shown in the attached chart:

| Hydraulic Mine Props MWM20t | |
|--|---|
| Nominal Work resistance | 200 kN |
| Work Pressure in cylinder | 40 Mpa |
| Setting Load | 60 kN mín |
| Applied Force on the pushing pump lever | 0,40 kN máx |
| Force during the discharge of the mine prop at distance | 0,80 kN máx |
| Force during the discharge of the mine prop with pumping lever | 0,15 kN máx |
| Elevation of the extendable part in a pump cycle | |
| During the free extension | 22 mm mín |
| During the pushing | 2 - 2,4 mm |
| Specific pressure on the ground | 15 Mpa máx |
| Working fluid: | Fluido Hidráulico antidesgaste DIN51524 Parte 2 Clase HLP ISO VG 46 |



Main elements:

1. Piston Rod
2. Sleeve
3. Pump Piston
4. Ball cock
5. Safety ring
6. Piston
7. Joint Case
8. Lock
9. Fix screw
10. Elastic washer B16
11. Block
12. Crank
13. Safety ring E-22
14. Case
15. Plug
16. Safety Valve
17. Push Rod
18. Excentric
19. U-shape lever
20. Finger
21. Clamp
22. Hexagonal Screw
23. Head
24. Seal kit N° 1
25. Seal kit N° 2
26. Lever
27. Bolt and nut M10